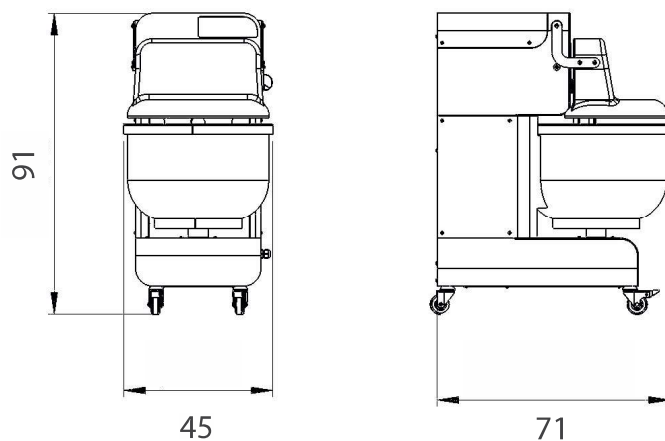
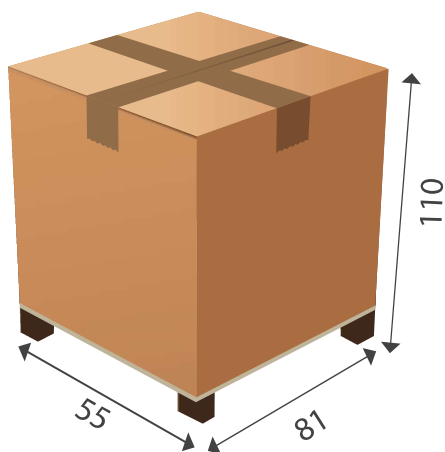


## BT24s three-phase: technical features



Maximum dimension of BT24s in cm.



<b>BTs 24</b>	
Flour capacity	2 - 15 kg
Kneading capacity	3 - 24 kg
Bowl capacity	35 lt
Dimensions of bowl	Ø 43 - h 30
Voltage	400 V three-phase
Phases	3
Power	1500 W
Speed of the arms	from 35 to 65 strokes/min
Kneading machine dimensions <small>LxPxH (cm)</small>	45x71x91
Dimensions with packaging <small>LxPxH (cm)</small>	55x81x110
Kneading machine weight / Weight with packaging	140 kg / 165 kg
Code	BT2440059